



Cambridge Lower Secondary Progression Test

Mathematics paper 3 learner answer sheet

Stage 8



approx. 15 minutes

Name

No additional materials are allowed.

READ THESE INSTRUCTIONS FIRST

Answer **all** questions in the spaces provided.

Calculators are **not** allowed.

Each question is worth 1 mark.

The total number of marks is 20.

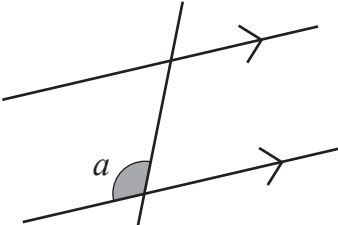
For Teacher's Use	
Total	

2


Time: 5 seconds

1		<input type="text"/>
----------	--	----------------------

2		<input type="text"/>
----------	--	----------------------

3		<input type="text"/>
----------	---	----------------------

4		23.981	<input type="text"/>
----------	--	--------	----------------------

5			<input type="text"/>
----------	--	---	----------------------

6		$3u + 2w - 7u$	<input type="text"/>
----------	--	----------------	----------------------

7	$10\,000 = 10 \square$	<input type="text"/>
----------	------------------------	----------------------

Time: 10 seconds

8		2 green 3 red 5 yellow	<input type="text"/>
----------	--	------------------------------	----------------------

9		<input type="text"/>
----------	--	----------------------

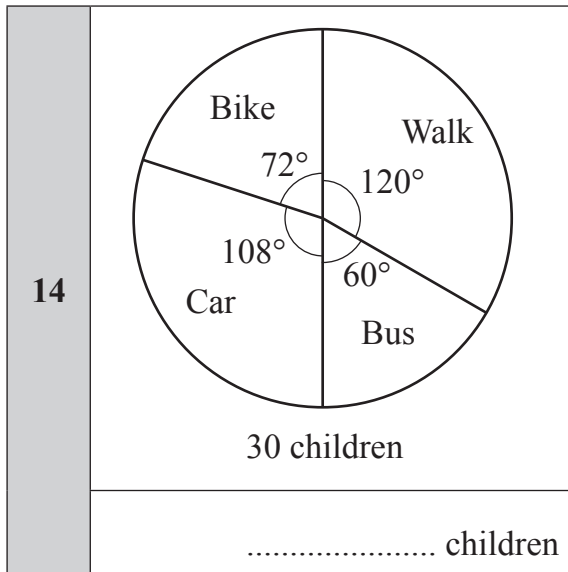
10	$2(n + 5)$ $n(2 + 5)$ $n + 5 \times 2$ $2n + 5$ $5n + 2$	<input type="text"/>
-----------	--	----------------------

11 km	1 cm = 500 m	<input type="text"/>
-----------	----------	--------------	----------------------

12		$2.3 \times 4 = 9.2$	<input type="text"/>
-----------	--	----------------------	----------------------

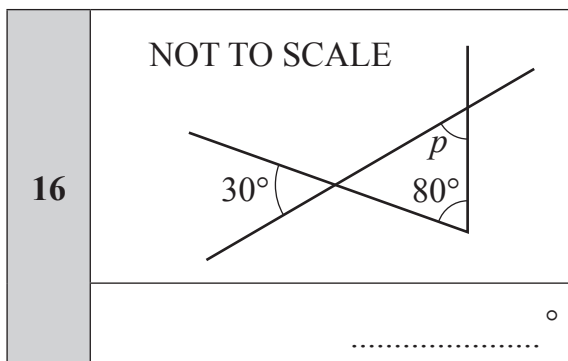
Time: 15 seconds

		pizza	pasta	chicken	total
13	water	5	3	3	11
	orange juice	7	4	3	14
	total	12	7	6	25
 %				



15

$x = \dots\dots\dots$	$3x + 2 = 17$
-----------------------	---------------

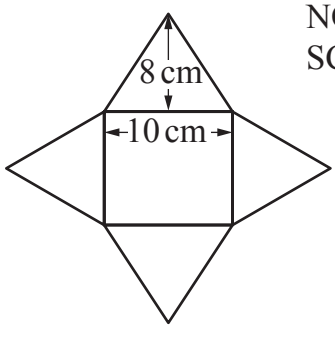


17

	$6 \div \frac{1}{3} = 18$
--	---------------------------

18	(.....,) <input style="width: 40px; height: 20px;" type="text"/>
-----------	--

19 :	30 cm : 150 mm	<input style="width: 40px; height: 20px;" type="text"/>
-----------	---------------	----------------	---

20		<input style="width: 40px; height: 20px;" type="text"/>
 cm ²	<input style="width: 40px; height: 20px;" type="text"/>