



Cambridge Primary Progression Test

Mathematics paper 3 learner answer sheet

Stage 5



approx. 15 minutes

Name

No additional materials are allowed.

READ THESE INSTRUCTIONS FIRST

Answer **all** questions in the spaces provided.

Calculators are **not** allowed.

Each question is worth 1 mark.

The total number of marks is 20.

For Teacher's Use	
Total	

Time: 5 seconds

1		<input type="text"/>
----------	--	----------------------

2		<input type="text"/>
----------	--	----------------------

3		<input type="text"/>
----------	--	----------------------

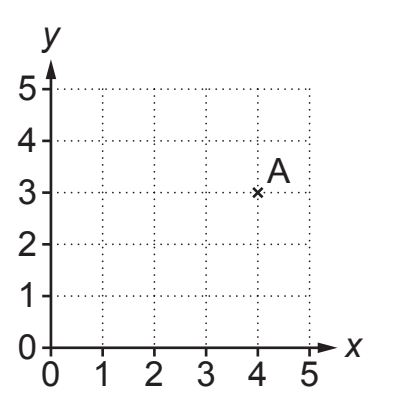
4		3650	<input type="text"/>
----------	--	------	----------------------

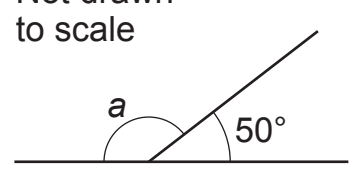
5		m	3 m 60 cm	<input type="text"/>
----------	--	---	-----------	----------------------

Time: 10 seconds

6		ml	4.7 litres	<input type="text"/>
----------	--	----	------------	----------------------

7	<table style="margin: auto;"> <tr> <td></td> <td style="text-align: center;">2</td> <td></td> <td style="text-align: center;">1</td> </tr> <tr> <td style="text-align: center;">1</td> <td></td> <td style="text-align: center;">4</td> <td style="text-align: center;">3</td> </tr> <tr> <td></td> <td style="text-align: center;">3</td> <td></td> <td style="text-align: center;">1</td> </tr> </table>		2		1	1		4	3		3		1	<input type="text"/>
		2		1										
1		4	3											
	3		1											
		<input type="text"/>												

8		<input type="text"/>
	(,)	<input type="text"/>

9	<p>Not drawn to scale</p> 	<input type="text"/>
	°	<input type="text"/>

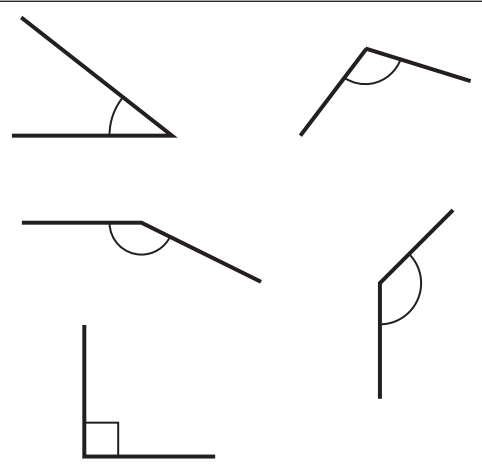
10	3 4 5 10 40 60	<input type="text"/>
-----------	-------------------------------	----------------------

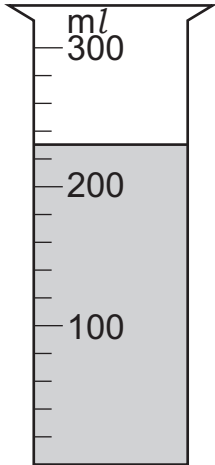
11	white beads	28 beads	<input type="text"/>
-----------	-------------	----------	----------------------

12		6108	<input type="checkbox"/>
----	--	------	--------------------------

Time: 15 seconds

16		200	<input type="checkbox"/>
----	--	-----	--------------------------

13		<input type="checkbox"/>
----	---	--------------------------

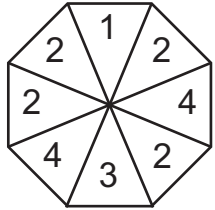
17		<input type="checkbox"/>
	ml	<input type="checkbox"/>

14	apples	\$4	<input type="checkbox"/>
----	--------	-----	--------------------------

18		17 19	<input type="checkbox"/>
----	--	-------	--------------------------

15	°C	13°C	<input type="checkbox"/>
----	----	------	--------------------------

19		oranges	<input type="checkbox"/>
----	--	---------	--------------------------

20		<input type="checkbox"/>
	and	<input type="checkbox"/>

BLANK PAGE

Copyright © UCLES, 2018

Cambridge Assessment International Education is part of the Cambridge Assessment Group.

Cambridge Assessment is the brand name of the University of Cambridge Local Examinations Syndicate (UCLES), which itself is a department of the University of Cambridge.

Permission to reproduce items where third-party owned material protected by copyright is included has been sought and cleared where possible. Every reasonable effort has been made by the publisher (UCLES) to trace copyright holders, but if any items requiring clearance have unwittingly been included, the publisher will be pleased to make amends at the earliest possible opportunity.